

## Exactrix Bottom Outlet Valve Group 5, RT Assembly

Meets or exceeds Indiana Ammonia Laws and ANSI K-61 standards.

Meets and exceeds National Board of Review, Division 8 Standards for NH3 tanks.

Improves Field Applied Rate In Cold Weather, VR-N with NH3 is now possible.

New Life For Old Ammonia Tanks, Improved Safety. Four to six times the liquid flow of top outlet tanks.

### Features:

Doubles and triples ground speed....higher flow rates allow VR-N application. Limitations of cold weather application are reduced 3 times.

Rigid support of valve outlet which allows safe transfer of liquid ammonia.

Improved flows to 40 to 50 gpm per tank valve at .1 psi pressure drop.

The 2" RT valve has low pressure drop, and is ideal for high speed tool bar Exactrix systems.

The valve is internally screened with an Exactrix valve grate.

The Exactrix Grate stops vortexing and protects the valve from broken float gauge arms and acme gaskets.

Internal grate protects valve from welding chards and welding debris from new tank construction.

Conversion of top outlet 1,000 gallon tanks requires no R and A calculations. The group 5 guard and valve can be installed by a local R stamp welder.

Removable valve bulkhead for valve service.

Standard 3,1/4 male Acme adapter. 2,1/4 male Acme is permissible at lower flows, matches the valve rating.

The 1/4 turn ss 304 ball valve bleeder allows quick setting of valve and improved safety.

The standard parking plug and cover cap improves safety.

The full valve support structure allows for 1.5 inch and 2" Smarthose and A2700 or A 215 hose end valve.

This recent Exactrix Grate 2 inch RT Valve development has extremely low pressure drop at nominal flows with selected components.

The guard construction is designed to handle 4 X's the force of a loaded tank.

The valve is designed to operate at temperatures to 0° F at 40 gpm per tank using 3,1/4 Acme with A 2700 hose end valve.

The Remote Shut Down feature with a safety release pin is safe and quick..the pull rope closes valve for emergency shutdown.

"Say Goodbye to broken siphon tubes and bad top outlet tank valves".

"Hello to 3 times the flow in cold temperatures....Productivity is up."

"Variable Rate NH3 application is now possible at high ground speeds."

"Tank safety with NH3 is regarded as much safer, plus the tanks are tested providing a new life for old tanks."

GJ Swanson

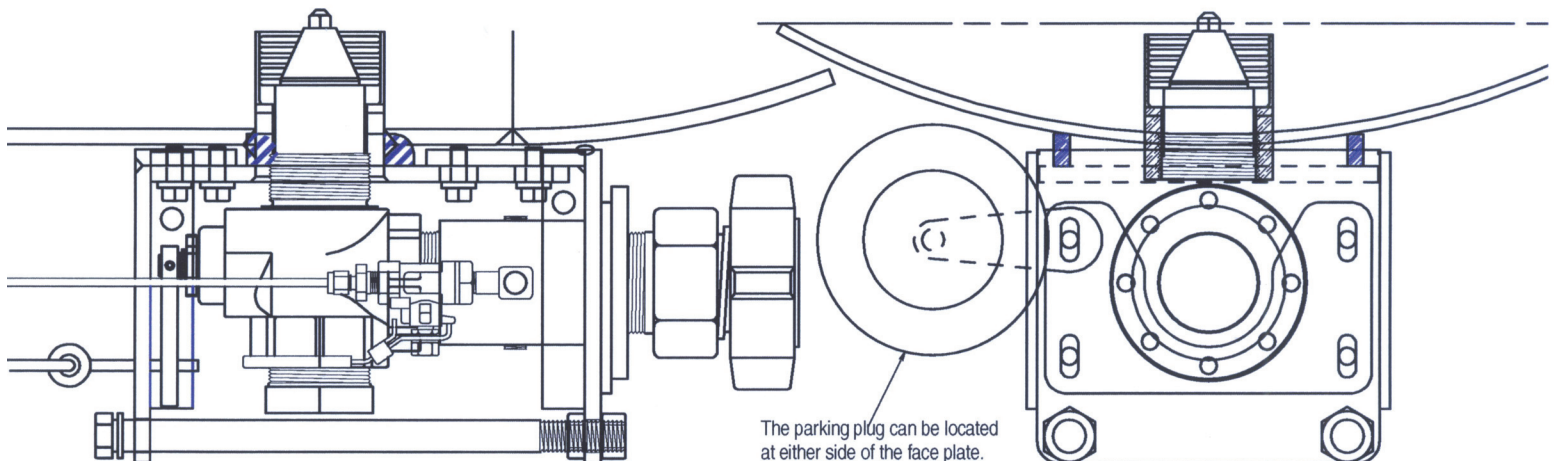
ASABE, ASA, ASM, WSDA certified.

Exactrix Global Systems

800 929 9289

www.exactrix.com

Spokane, WA



The Rope Safety Pin Shutdown

Ball valve bleeder, parking plug and cover caps included.