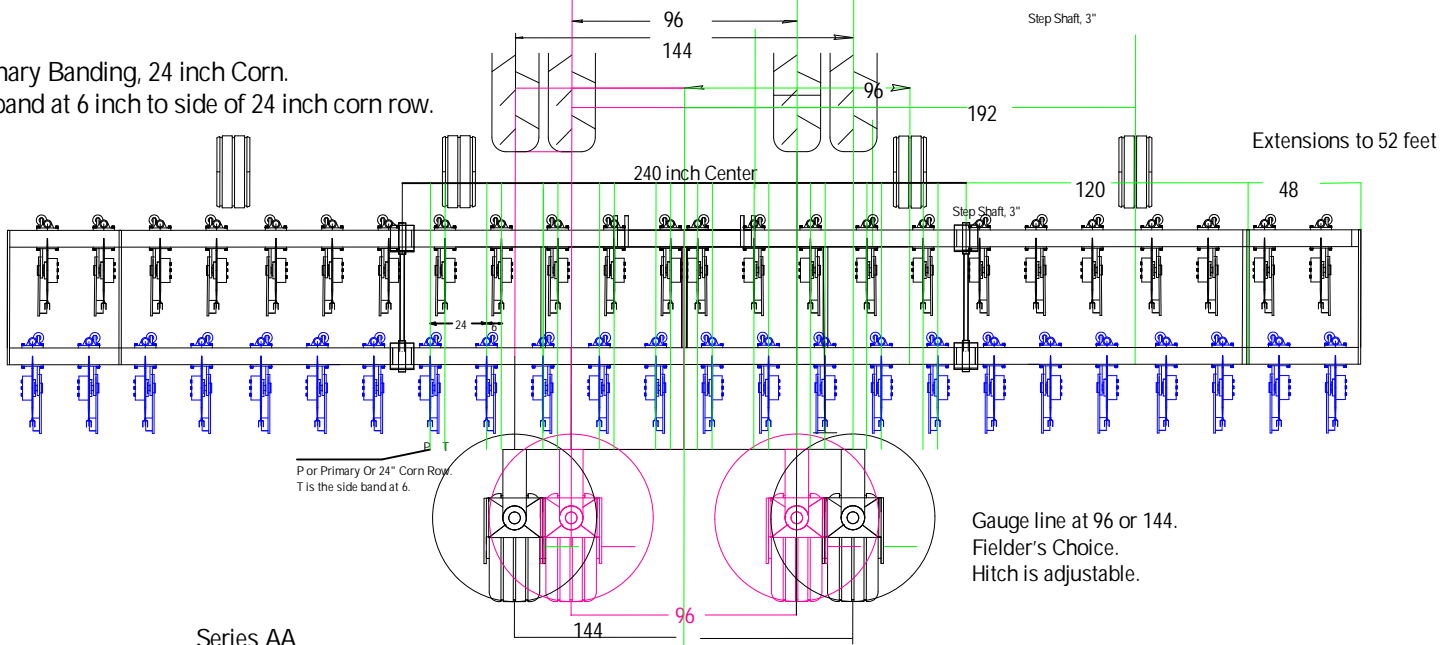


Binary Banding, 24 inch Corn.
T band at 6 inch to side of 24 inch corn row.



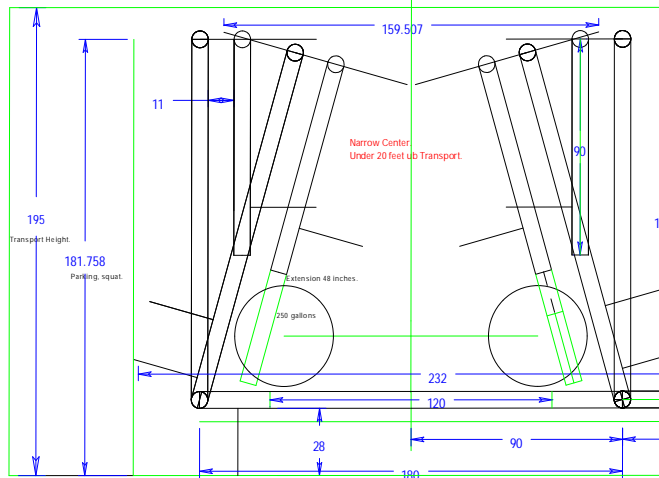
P or Primary Or 24" Corn Row.
T is the side band at 6.

Gauge line at 96 or 144.
Fielder's Choice.
Hitch is adjustable.

Series AA

Machine Width	Center Section Narrow	Transport width	Transport Height	Sections	Squat Height	Lift assist	Hitch Rating	Ballast Tanks	Max Tool Bar Height	Color	Weight	Bar 7 x 7	Lift Assist Tire	Pos. Down Pres	Band Spacing	Ground Speed	Tire Options
40 ft.	6 row, 180	19 ft. 4 inch	16 ft. 3 inch	3	15 ft. 2 inch	18,000lbs.	35,000 lbs.	125 to 400 ea.	64 inches bottom	Any	24,570	.375 wall	19.1 x 19. 7.600 lbs.	Yes	10, 12, 15, 20	10 to 12 mph	
55 ft.	6 row, 180	19 ft. 4 inch	16 ft. 3 inch	5	15 ft. 2 inch	18,000lbs.	35,000 lbs.	125 to 400 ea.	64 inches bottom	Any	31,125	375 wall	19.1 x 19. 7.600 lbs.	Yes	10, 12, 15, 20	10 to 12 mph	
40 ft.	8 row, 240	22 ft. 4 inch	12 ft. 4 inch	3	11 ft. 3 inch	18,000lbs.	35,000 lbs.	125 to 400 ea.	64 inches bottom	Any	33,125	5 wall Center	21.5 x 19. 15. 8.800 lbs.	Yes	10, 12, 15.	10 to 12 mph	
48 ft.	8 row, 240	22 ft. 4 inch	15 ft. 10 inch	3	14 ft. 8 inch	18,000lbs.	35,000 lbs.	125 to 400 ea.	64 inches bottom	Any	38,125	5 wall Center	21.5 x 19. 15. 8.800 lbs.	Yes	10, 12, 15.	10 to 12 mph	
60 ft.	8 row, 240	19 ft. 4 inch	16 ft. 3 inch	5	15 ft. 2 inch	21,000 lbs.	45,000 lbs.	125 to 400 ea.	64 inches bottom	Any	38,425	5 wall	21.5 x 19. 15. 8.800 lbs.	Yes	12, 15, 20	10 to 12 mph	12.288 W. 10.000 12.288 W. 10.000 12.288 W. 10.000 12.288 W. 10.000
63 ft.	8 row, 240	24 ft.	16 ft. 3 inch	5	15 ft. 2 inch	21,000 lbs.	45,000 lbs.	125 to 400 ea.	64 inches bottom	Any	41,125	5 wall	21.5 x 19. 15. 8.800 lbs.	Yes	12, 15, 20	10 to 12 mph	12.288 W. 10.000 12.288 W. 10.000 12.288 W. 10.000 12.288 W. 10.000
68 ft.	8 row, 240	24 ft.	16 ft. 3 inch	5	15 ft. 2 inch	21,000 lbs.	45,000 lbs.	125 to 400 ea.	64 inches bottom	Any		5 wall	Super Floor: Rmax 12.288 W. 10.000 12.288 W. 10.000	Yes	12, 15, 20	10 to 12 mph	

Binary Banding Tool Bars.
In Row Spacing of 12 inch or 6/18
Available in widths of 40, 44, 48 and 52 ft.



Triple G Partners. Binary Banding Corn, 6 x 18 Binary

480 inch banding width shown.
40 feet. 48 feet optional in dryland.
48 banding openers on 12 inch centers.
Expandable to 48 feet with extensions added.
3 section machine at 40 feet or 48 feet.
Squat position 11 feet, 3 inches.
Transport 12 feet, 5 inches. 14 inch ground clearance.
Maximum Tool bar height 64 inches at bottom of 7 x 7 full extension of lift assist.
Transport Width, 22 feet. 4 inches
Price quote as per May 13, 19 Exactrix Series A, 4812 Binary Banding, Wheat Pre-plant option.

