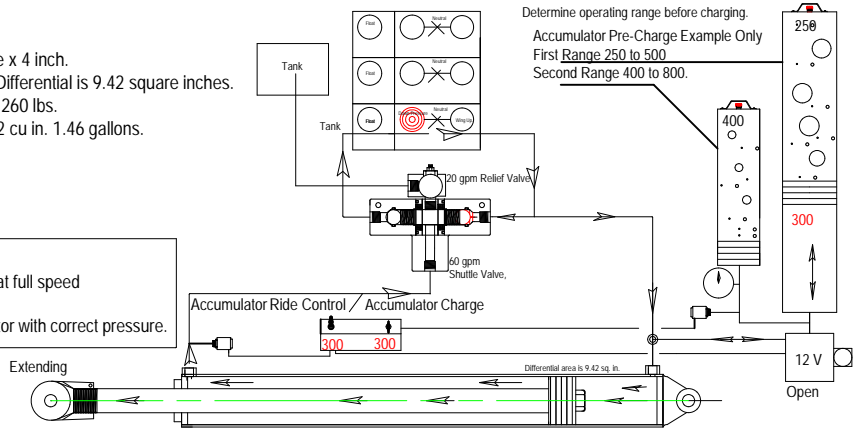
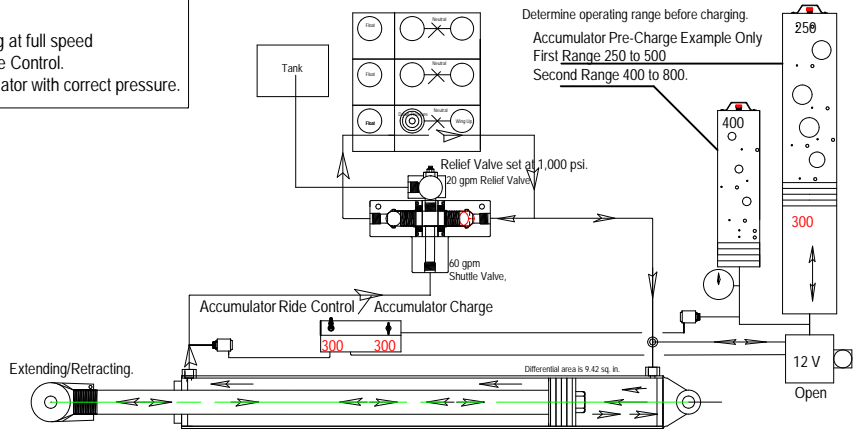


1 Raising Pressure,  
Opens Banding at full speed  
Lowering Wing.  
Activate accumulator with correct pressure.

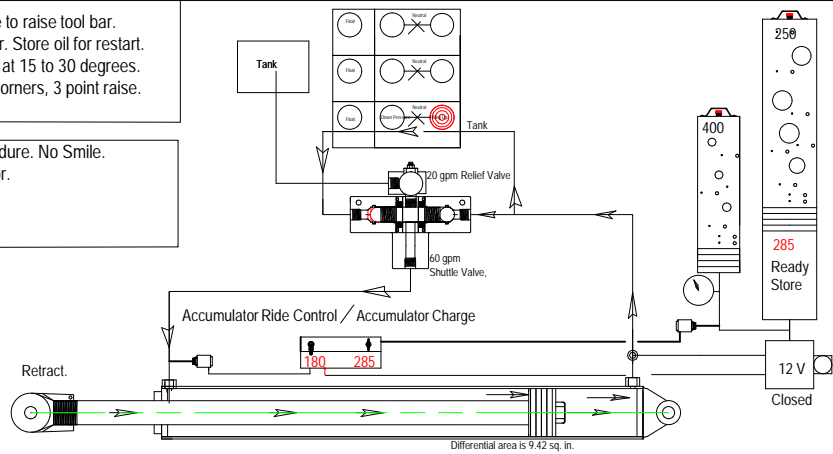


2 Opens Banding at full speed  
Accumulator Ride Control.  
Activate accumulator with correct pressure.



3 Applying Pressure to raise tool bar.  
Close accumulator. Store oil for restart.  
Wing Up for smile at 15 to 30 degrees.  
Raise tool bar at corners, 3 point raise.  
Smile.

Secondary Procedure. No Smile.  
Close Accumuator.  
Leave in Neutral  
Raise 3 point.



4 Float.  
For lowering pressure  
For allowing the wing to move with weight only.  
Deactivate accumulator.  
Uncoupling from the tool bar.

